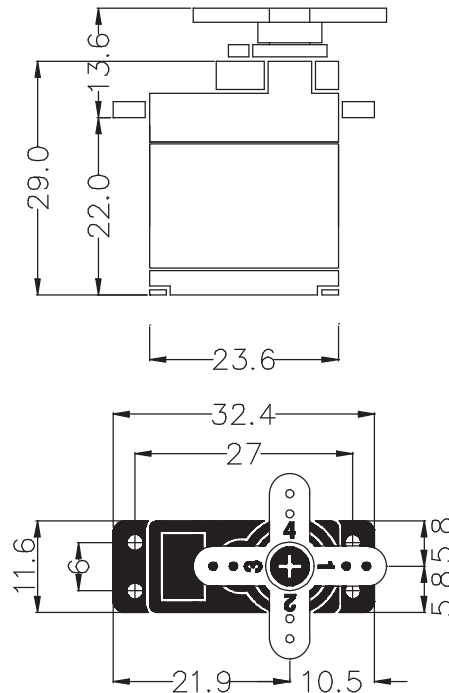


GENERAL SPECIFICATION OF HS-5070MH HIGH TORQUE DIGITAL FEATHER SERVO

1. TECHNICAL VALUE

CONTROL SYSTEM	: +PULSE WIDTH CONTROL 1500usec NEUTRAL
OPERATING VOLTAGE RANGE	: 6.0V TO 7.4V
OPERATING TEMPERATURE RANGE	: -20°C TO +60°C (-4°F TO +140°F)
TEST VOLTAGE	: AT 6.0V
OPERATING SPEED	: 0.15sec/60° AT NO LOAD
STALL TORQUE	: 3.1kg.cm(43.28oz.in)
IDLE CURRENT	: 3mA AT STOPPED
RUNNING CURRENT	: 200mA/60° AT NO LOAD
STALL CURRENT	: 1000mA
DEAD BAND WIDTH	: 2usec
OPERATING TRAVEL	: 40°/ONE SIDE PULSE TRAVELING 400usec
DIRECTION	: CLOCK WISE/PULSE TRAVELING 1500 TO 1900usec
MOTOR TYPE	: CORED METAL BRUSH/Nd MAGNET
POTENTIOMETER TYPE	: 2 SLIDER/DIRECT DRIVE
DIMENSIONS	: 23.6x11.6x29mm(0.92x0.45x1.14in)
WEIGHT	: 12.7g(0.44oz)
BALL BEARING	: SINGLE/MR85
GEAR MATERIAL	: 1 RESIN & 4 METAL GEARS
HORN GEAR SPLINE	: 25 SEGMENTS/φ5
SPLINED HORNS	: MICRO23: M23-I, M23-X
CONNECTOR WIRE LENGTH	: 160mm(6.29in)
CONNECTOR WIRE STRAND COUNTER	: 20 EA
CONNECTOR WIRE GAUGE	: 28AWG

REFERENCE USE ONLY
AT 7.4V
0.12sec/60° AT NO LOAD
3.8kg.cm(53.06oz.in)
3mA AT STOPPED
240mA/60° AT NO LOAD
1300mA
2usec



2. FEATURES

- 4 METAL GEARS WITH 1 BALL BEARING
- HIGH EFFICIENCY Nd MAGNET MOTOR

3. APPLICATIONS

- FAST PARK FLYING MODELS. ELECTRIC MICRO PLANE, MAV
- 1/18 SCALE CARS